

# RJ45 Connector

## SRJ110001THD014M

### Description

The SRJ110001THD014M is a RJ45 connector with 100 Base-T and integrated magnetics.

The connector is designed to support application such as SOHO (ADSL modems), LAN-on-Motherboards(LOM), Hub and Switches.



### Typical applications

- Ethernet
- Network Switch
- Network Hub
- Modems

### Features

#### Mechanical Properties

#### Description

<b>Speed</b>	10/100 Base-T
<b>Number of ports</b>	Single
<b>Latch</b>	Down
<b>Pin type</b>	THT
<b>Application-Lan</b>	Ethernet (NoN PoE)
<b>Led</b>	N/A
<b>Color</b>	N/A
<b>Housing material</b>	Thermoplastic PBT+30%G.F UL94V-0
<b>Contact material</b>	Phospor Bronze, C5210R-EH Thickness = 0.35mm
<b>Pin material</b>	Brass, C2680R-H Thickness = 0.35mm
<b>Shield material</b>	SUS 201-1/2H Thickness = 0.2mm
<b>Contact Plating material</b>	Gold 6 Micro-Inches Min.
<b>Operating Temperature</b>	0°C~+70°C
<b>Wave Peak Soldering</b>	+265°C Max. 5 sec Max.
<b>Dimensions</b>	21.25 x 15.93 x 13.30 mm ± 0.1

# RJ45 Connector

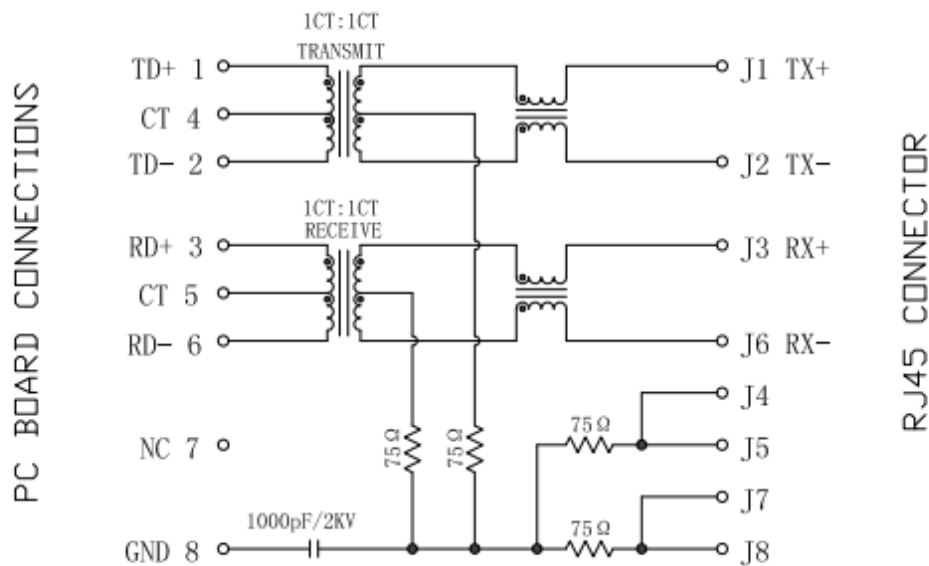
## SRJ110001THD014M

### Electrical Properties

### Description

<b>Turn Ratio (<math>\pm 2\%</math>)</b>	1CT : 1CT
<b>Inductance OCL</b>	@100KHz , 0.1V 8mA DC Bias 350uH Min.
<b>Insertion Loss</b>	-1.0 dB Max. @1-65MHz
<b>Return Loss</b>	-20dB Min. @1-10MHz -16dB Min. @10-30MHz -12dB Min. @30-60MHz -10dB Min. @60-100MHz
<b>Cross Talk</b>	-40dB Min. @1-30MHz -35dB Min. @30-60MHz -30dB Min. @60-100MHz
<b>Common Mode Rejection</b>	-30dB Min. @1-50MHz -20dB Min. @50-150MHz
<b>Hipot Test</b>	1500Vrms

### Electrical

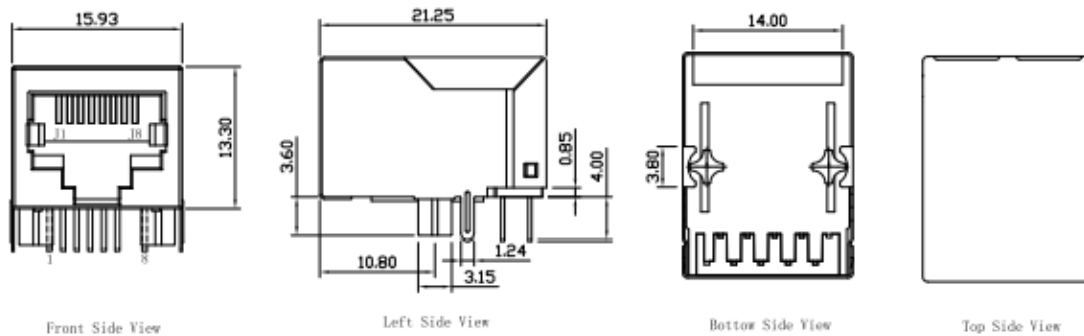


# RJ45 Connector

## SRJ110001THD014M

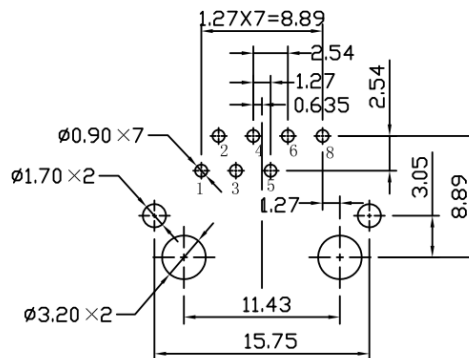
### Dimensions

\*unit: mm



### PCB Footprint

\*unit: mm



### Ordering information

Ordering can be done via [www.summit-electronics.com](http://www.summit-electronics.com) or via [info@summit-electronics.com](mailto:info@summit-electronics.com). Please contact us for more information. Customisation of the product is available on request.

### Technical support

For all product questions please contact us via [info@summit-electronics.com](mailto:info@summit-electronics.com)

### Document revision

Rev	Date	changes
V01.00	27-06-2023	First issue of document, EK